



HISTORIC PRESERVATION COMMISSION

Marc Elrich
County Executive

Robert K. Sutton
Chairman

Date: January 14, 2022

MEMORANDUM

TO: Mitra Pedoeem
Department of Permitting Services

FROM: Michael Kyne
Historic Preservation Section
Maryland-National Capital Park & Planning Commission

SUBJECT: Historic Area Work Permit # 975018: Installation of generator

The Montgomery County Historic Preservation Commission (HPC) has reviewed the attached application for a Historic Area Work Permit (HAWP). This application was **Approved** at the January 5, 2022 HPC meeting.

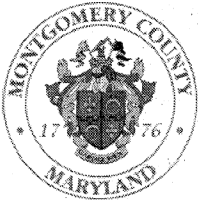
The HPC staff has reviewed and stamped the attached construction drawings.

THE BUILDING PERMIT FOR THIS PROJECT SHALL BE ISSUED CONDITIONAL UPON ADHERENCE TO THE ABOVE APPROVED HAWP CONDITIONS AND MAY REQUIRE APPROVAL BY DPS OR ANOTHER LOCAL OFFICE BEFORE WORK CAN BEGIN.

Applicant: Wiley Hodges (Gary P. Frank, Inc., Agent)
Address: 6300 Brookville Road, Chevy Chase

This HAWP approval is subject to the general condition that the applicant will obtain all other applicable Montgomery County or local government agency permits. After the issuance of these permits, the applicant must contact this Historic Preservation Office if any changes to the approved plan are made. Once work is complete the applicant will contact Michael Kyne at 301.563.3403 or michael.kyne@montgomeryplanning.org to schedule a follow-up site visit.





FOR STAFF ONLY:
HAWP# 975018
DATE ASSIGNED _____

APPLICATION FOR HISTORIC AREA WORK PERMIT

HISTORIC PRESERVATION COMMISSION
301.563.3400

APPLICANT:

Name: Wiley Hodges
Address: 6300 Brookville Rd
Daytime Phone: 650 255 2107

E-mail: Wiley@HodgesFamily.com
City: Cherry Chase Zip: 20815
Tax Account No.: _____

AGENT/CONTACT (if applicable):

Name: Gary P. Frank Inc.
Address: 8918 Ridge Pl
Daytime Phone: 301 493 5766

E-mail: Gpfrankheatcool@gmail.com
City: Bethesda Zip: 20817
Contractor Registration No.: _____

LOCATION OF BUILDING/PREMISE: MIHP # of Historic Property _____

Is the Property Located within an Historic District? Yes/District Name Cherry Chase Village
 No/Individual Site Name _____

Is there an Historic Preservation/Land Trust/Environmental Easement on the Property? If YES, include a map of the easement, and documentation from the Easement Holder supporting this application.

Are other Planning and/or Hearing Examiner Approvals/Reviews Required as part of this Application? (Conditional Use, Record Plat, etc.) If YES, include supplemental information.

REVIEWED
By Michael Kyne at 9:17 am, Jan 14, 2022

APPROVED
Montgomery County
Historic Preservation Commission

Building Number: _____ Street: _____
Town/City: _____ Nearest Cross Street: _____
Lot: _____ Block: _____ Subdivision: _____

TYPE OF WORK PROPOSED: See the checklist on Page 4

for proposed work are submitted with this application. Incomplete Applications will not be accepted for review. Check all that apply:

- | | | |
|---|--|---|
| <input type="checkbox"/> New Construction | <input type="checkbox"/> Deck/Porch | <input type="checkbox"/> Shed/Garage/Accessory Structure |
| <input type="checkbox"/> Addition | <input type="checkbox"/> Fence | <input type="checkbox"/> Solar |
| <input type="checkbox"/> Demolition | <input type="checkbox"/> Hardscape/Landscape | <input type="checkbox"/> Tree removal/planting |
| <input type="checkbox"/> Grading/Excavation | <input type="checkbox"/> Roof | <input type="checkbox"/> Window/Door |
| | | <input checked="" type="checkbox"/> Other: <u>Generator</u> |

I hereby certify that I have the authority to make the foregoing application, that the application is correct and accurate and that the construction will comply with plans reviewed and approved by all necessary agencies and hereby acknowledge and accept this to be a condition for the issuance of this permit.

Signature of owner or authorized agent

Date

11/30/21

HAWP APPLICATION: MAILING ADDRESSES FOR NOTIFYING
[Owner, Owner's Agent, Adjacent and Confronting Property Owners]

Owner's mailing address

6300 Brookville Rd
Chevy Chase, MD 20815

Owner's Agent's mailing address

8918 Ridge Pl.
Bethesda, MD 20817

Adjacent and confronting Property Owners mailing addresses

63 Newlands St.
Chevy Chase, MD 20815

REVIEWED

By Michael Kyne at 9:17 am, Jan 14, 2022

APPROVED

Montgomery County
Historic Preservation Commission



18 Oxford St.
Chevy Chase, MD 20815

Description of Property: Please describe the building and surrounding environment. Include information on significant structures, landscape features, or other significant features of the property:

Single family house located on a corner lot
with a detached garage with driveway

Description of Work Proposed: Please give an overview of the work to be undertaken:

We will install a new 24kw generator with
200 amp transfer switch.

REVIEWED

By Michael Kyne at 9:17 am, Jan 14, 2022

APPROVED

Montgomery County

Historic Preservation Commission



Work Item 1: Generator

Description of Current Condition:
No current generator.

Proposed Work:
We will install new 24kw generator w/ 200 amp transfer switch. Unit to be located on right side of house.

Work Item 2: _____

Description of Current Condition:

Proposed Work:

REVIEWED
By Michael Kyne at 9:17 am, Jan 14, 2022

APPROVED
Montgomery County
Historic Preservation Commission


Work Item 3: _____

Description of Current Condition:

Proposed Work:

Confirmed.

30" DIAMETER TREE TO REMAIN

LOT 12

REVIEWED

By Michael Kyne at 9:18 am, Jan 14, 2022

TREE TO BE REMOVED

SLATE PATIO

A/W

2 STORY
BRICK & FRAME
#8300
BROOKVILLE RD.

BRICK PORCH

BRICK WALK

APPROVED
Montgomery County
Historic Preservation Commission
Robert H. Potter

generator location
24kw

BAY

5' EXISTING SETBACK

LOT 21

EXISTING 18.3' X 20.3' GARAGE
REMOVED

22' X 24' GARAGE

EXISTING ELECTRIC POLE

NEW CONCRETE DRIVEWAY

EXISTING ASPHALT DRIVEWAY
TO BE REMOVED

EAST
42.63'

LOT 2

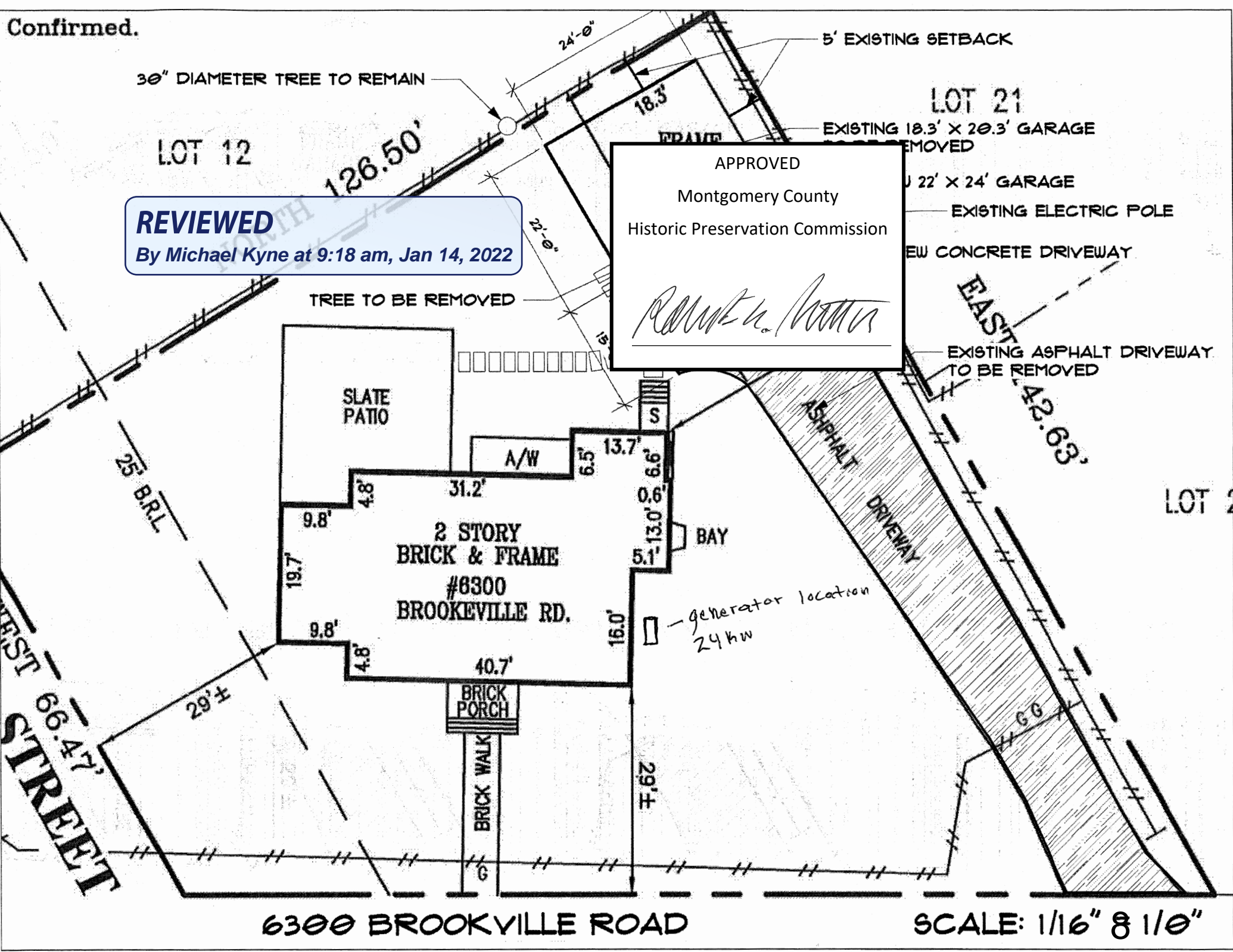
WEST STREET
66.47'

25' B.R.L.

29'±

6300 BROOKVILLE ROAD

SCALE: 1/16" = 8' 1/2"



20/22/24 kW

GUARDIAN® SERIES Residential Standby Generators Air-Cooled Gas Engine

Standby Power Rating

G007038-1, G007039-1, G007038-3, G007039-3 (Aluminum - Bisque) - 20 kW 60 Hz
G007042-2, G007043-2, G007042-3, G007043-3 (Aluminum - Bisque) - 22 kW 60 Hz
G007209-0, G007210-1 (Aluminum - Bisque) - 24 kW 60 Hz

INCLUDES:

- True Power™ Electrical Technology
- Two-line multilingual digital LCD Evolution™ controller (English/Spanish/French/Portuguese)
- 200 amp service rated transfer switch available
- Electronic governor
- Standard Wi-Fi® connectivity
- System status & maintenance interval LED indicators
- Sound attenuated enclosure
- Flexible fuel line connector
- Natural gas or LP gas operation
- 5 Year limited warranty
- Listed and labeled for installation as close as 18 in (457 mm) to a structure.*
**Must be located away from doors, windows, and fresh air intakes and in accordance with local codes.*



Note: CETL or CUL certification only applies to unbundled units and units packaged with limited circuit switches. Units packaged with the Smart Switch are ETL or UL certified in the USA only.

REVIEWED

FEA **By Michael Kyne at 9:17 am, Jan 14, 2022**

- **INNOVATIVE ENGINE DESIGN & RIGOROUS TESTING** are at the heart of Generac's success in providing the most reliable generators possible. Generac's G-Force engine lineup offers added peace of mind and reliability for when it's needed the most. The G-Force series engines are purpose built and designed to handle the rigors of extended run times in high temperatures and extreme operating conditions.
- **TRUE POWER™ ELECTRICAL TECHNOLOGY:** Superior harmonics and sine wave form produce less than 5% Total Harmonic Distortion for utility quality power. This allows confident operation of sensitive electronic equipment and micro-chip based appliances, such as variable speed HVAC systems.
- **TEST CRITERIA:**
 - ✓ **PROTOTYPE TESTED** ✓ **NEMA MG1-22 EVALUATION**
 - ✓ **SYSTEM TORSIONAL TESTED** ✓ **MOTOR STARTING ABILITY**
- **MOBILE LINK® CONNECTIVITY:** FREE with select Guardian Series Home standby generators, Mobile Link Wi-Fi allows users to monitor generator status from anywhere in the world using a smartphone, tablet, or PC. Easily access information such as the current operating status and maintenance alerts. Users can connect an account to an authorized service dealer for fast, friendly, and proactive service. With Mobile Link, users are taken care of before the next power outage.



- **REGULATION:** This regulation applies to all Generac modifications and MAXI-matching the surge
- **GENERAC TRANSFER SWITCHES:** Long life and reliability are synonymous with GENERAC POWER SYSTEMS. One reason for this confidence is that the GENERAC product line is offered with its own transfer systems and controls for total system compatibility.

*Assembled in the USA using domestic and foreign parts.

20/22/24 kW

Features and Benefits

Engine

- Generac G-Force design
- “Spiny-lok” cast iron cylinder walls
- Electronic ignition/spark advance
- Full pressure lubrication system
- Low oil pressure shutdown system
- High temperature shutdown

Maximizes engine “breathing” for increased fuel efficiency. Plateau honed cylinder walls and plasma moly rings help the engine run cooler, reducing oil consumption and resulting in longer engine life.

Rigid construction and added durability provide long engine life.

These features combine to assure smooth, quick starting every time.

Pressurized lubrication to all vital bearings means better performance, less maintenance, and longer engine life. Now featuring up to a 2 year/200 hour oil change interval.

Shutdown protection prevents catastrophic engine damage due to low oil.

Prevents damage due to overheating.

Generator

- Revolving field
- Skewed stator
- Displaced phase excitation
- Automatic voltage regulation
- UL 2200 listed

Allows for a smaller, light weight unit that operates 25% more efficiently than a revolving armature generator.

Produces a smooth output waveform for compatibility with electronic equipment.

Maximizes motor starting capability.

Regulating output voltage to ±1% prevents damaging voltage spikes.

For your safety.

Transfer Switch (if applicable)

- Fully automatic
- NEMA 3R
- Integrated load management technology
- Remote mounting

Transfers vital electrical loads to the energized source of power.

Can be installed inside or outside for maximum flexibility.

Capability to manage additional loads for efficient power management.

Mounts near an existing distribution panel for simple, low-cost installation.

Evolution™ Controls

- AUTO/MANUAL/OFF illuminated buttons
- Two-line multilingual LCD
- Sealed, raised buttons
- Utility voltage sensing
- Generator voltage sensing
- Utility voltage sensing
- Engine cool down
- Programmable exercise
- Smart battery charger
- Main line circuit breaker
- Electronic governor

Selects the operating mode and provides easy, at-a-glance status indication in any condition.

Provides homeowners easily visible logs of history, maintenance, and events up to 50 occurrences.

Smooth, weather-resistant user interface for programming and operations.

Constantly monitors utility voltage, setpoints 65% dropout, 80% pick-up, of standard voltage.

Constantly monitors generator voltage to verify the cleanest power delivered to the home.

Prevents nuisance start-ups of the engine by a qualified dealer.

Assume the

Allows engine to cool prior to shutdown.

Operates engine to prevent oil seal dry rot 5 minutes every other week. Also offers flexibility and potentially lower fuel consumption.

Delivers charge to the battery only when needed.

Compatible with lead acid and AGM-batteries.

Protects generator from overload.

Maintains constant 60 Hz frequency.

REVIEWED
 By Michael Kyne at 9:17 am, Jan 14, 2022



Unit

- SAE weather protective enclosure
- Enclosed critical grade muffler
- Small, compact, attractive

Sound attenuated enclosures ensure quiet operation and protection against mother nature, withstanding winds up to 150 mph (241 km/h). Hinged key locking roof panel for security. Lift-out front for easy access to all routine maintenance items. Electrostatically applied textured epoxy paint for added durability.

Quiet, critical grade muffler is mounted inside the unit to prevent injuries.

Makes for an easy, eye appealing installation, as close as 18 in (457 mm) away from a structure.

20/22/24 kW

Installation System

- 14 in (35.6 cm) flexible fuel line connector
Listed ANSI Z21.75/CSA 6.27 outdoor appliance connector for the required connection to the gas supply piping.
- Integral sediment trap
Meets IFGC and NFPA 54 installation requirements.

Connectivity (Wi-Fi equipped models only)

- Ability to view generator status
Monitor generator with a smartphone, tablet, or computer at any time via the Mobile Link application for complete peace of mind.
- Ability to view generator Exercise/Run and Total Hours
Review the generator's complete protection profile for exercise hours and total hours.
- Ability to view generator maintenance information
Provides maintenance information for the specific model generator when scheduled maintenance is due.
- Monthly report with previous month's activity
Detailed monthly reports provide historical generator information.
- Ability to view generator battery information
Built in battery diagnostics displaying current state of the battery.
- Weather information
Provides detailed local ambient weather conditions for generator location.

REVIEWED
 By Michael Kyne at 9:17 am, Jan 14, 2022

APPROVED
 Montgomery County
 Historic Preservation Commission



20/22/24 kW

Specifications

Generator

Model	G007038-1 G007039-1 (20 kW)	G007042-2 G007043-2 (22 kW)	G007038-3 G007039-3 (20 kW)	G007042-3 G007043-3 (22 kW)	G007209-0 G007210-1 (24 kW)
Rated maximum continuous power capacity (LP)	20,000 Watts*	22,000 Watts*	20,000 Watts*	22,000 Watts*	24,000 Watts*
Rated maximum continuous power capacity (NG)	18,000 Watts*	19,500 Watts*	18,000 Watts*	19,500 Watts*	21,000 Watts*
Rated voltage	240				
Rated maximum continuous load current – 240 volts (LP/NG)	83.3 / 75.0	91.7 / 81.3	83.3 / 75.0	91.7 / 81.3	100 / 87.5
Total Harmonic Distortion	Less than 5%				
Main line circuit breaker	90 amp	100 amp	90 amp	100 amp	100 amp
Phase	1				
Number of rotor poles	2				
Rated AC frequency	60 Hz				
Power factor	1.0				
Battery requirement (not included)	12 Volts, Group 26R 540 CCA minimum or Group 35AGM 650 CCA minimum				
Unit weight (lb / kg)	448 / 203	466 / 211	436 / 198	445 / 202	455 / 206
Dimensions (L x W x H) in / cm	48 x 25 x 29 / 121.9 x 63.5 x 73.7				
Sound output in dB(A) at 23 ft (7 m) with generator operating at normal load**	67	67	67	67	67
Sound output in dB(A) at 23 ft (7 m) with generator in Quiet-Test™ low-speed exercise mode**	55	57	55	57	57
Exercise duration	5 min				

Engine

Engine type	GENERAC G-Force 1000 Series				
Number of cylinders	2				
Displacement	999 cc				
Cylinder block	Aluminum w/ cast iron sleeve				
Valve arrangement	Overhead valve				
Ignition system	Solid-state w/ magneto				
Governor system	Electronic				
Compression ratio	9.5:1				
Starter	12 VDC				
Oil capacity including filter	Approx. 1.9 qt / 1.8 L				
Operating rpm	3,600				
Fuel consumption					
Natural gas	ft ³ /hr (m ³ /hr)				
	1/2 Load	204 (5.78)	228 (6.46)	164 (4.64)	203 (5.75)
	Full Load	301 (8.52)	327 (9.26)	287 (8.13)	306 (8.66)
Liquid propane	ft ³ /hr (gal/hr) [L/hr]				
	1/2 Load	87 (2.37) [8.99]	92 (2.53) [9.57]	86 (2.36) [8.95]	92 (2.53) [9.57]
	Full Load	130 (3.56) [13.48]	142 (3.90) [14.77]	136 (3.74) [14.15]	142 (3.90) [14.77]

Note: Fuel pipe must be sized for full load. Required fuel pressure to generator fuel inlet at all load ranges - 5-7 in wa... (Pa) for LP gas. For BTU content, multiply m³/hr x 1000 (NG). For Megajoule content, multiply m³/hr x 38.15 (LP) or

Controls

Two-line plain text	
Mode buttons	MANUAL Start with S OFF Start
Ready to Run/Maintenance messages	
Engine run hours indication	
Programmable start delay between 2-1500 seconds	
Utility Voltage Loss/Return to Utility adjustable (brownout setting)	
Future Set Capable Exerciser/Exercise Set Error warning	
Run/Alarm/Maintenance logs	
Engine start sequence	C
Starter lock-out	S
Smart Battery Charger	Standard
Charger Fault/Missing AC warning	Standard
Low Battery/Battery Problem Protection and Battery Condition indication	Standard
Automatic Voltage Regulation with Over and Under Voltage Protection	Standard
Under-Frequency/Overload/Stepper Overcurrent Protection	Standard
Safety Fused/Fuse Problem Protection	Standard
Automatic Low Oil Pressure/High Oil Temperature Shutdown	Standard
Overcrank/Overspeed (@ 72 Hz)/rpm Sense Loss Shutdown	Standard
High Engine Temperature Shutdown	Standard
Internal Fault/Incorrect Wiring protection	Standard
Common external fault capability	Standard
Field upgradable firmware	Standard

REVIEWED
By Michael Kyne at 9:17 am, Jan 14, 2022

APPROVED
Montgomery County
Historic Preservation Commission

**Sound levels are taken from the front of the generator. Sound levels taken from other sides of the generator may be higher depending on installation parameters. Rating definitions - Standby: Applicable for supplying emergency power for the duration of the utility power outage. No overload capability is available for this rating. (All ratings in accordance with BS5514, ISO3046 and DIN6271). * Maximum kilovolt amps and current are subject to and limited by such factors as fuel BTU/megajoule content, ambient temperature, altitude, engine power and condition, etc. Maximum power decreases approximately 3.5% for each 1,000 ft (304.8 m) above sea level; and also will decrease approximately 1% for each 10 °F (6 °C) above 60 °F (16 °C).

20/22/24 kW

Service Rated Automatic Transfer Switch Features

- Intelligently manages up to four air conditioner loads with no additional hardware.
- Up to eight additional large (240 VAC) loads can be managed when used in conjunction with Smart Management Modules (SMMs).
- Electrically operated, mechanically-held contacts for fast, clean connections.
- Main breakers are rated for 80% continuous load.
- 2-pole, 250 VAC contactors.
- Service equipment rated, dual coil design.
- Rated for both aluminum and copper conductors.
- Main contacts are silver plated or silver alloy to resist welding and sticking.
- NEMA/UL 3R aluminum outdoor enclosure allows for indoor or outdoor mounting flexibility.

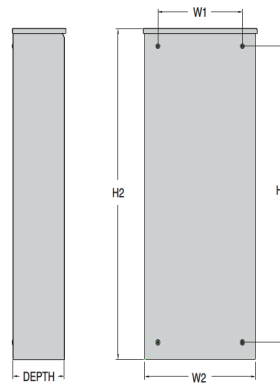
Dimensions

200 Amps 120/240, 1Ø Open Transition Service Rated					
	Height		Width		Depth
	H1	H2	W1	W2	
in	26.8	30.1	10.5	13.5	6.9
cm	67.95	76.43	26.67	34.18	17.5

Wire Ranges		
Conductor Lug	Neutral Lug	Ground Lug
250 MCM - #6	350 MCM - #6	2/0 - #14

Model	G007039-1, G007039-3 (20 kW) G007043-2, G007043-3 (22 kW) G007210-1 (24 kW)
No. of poles	2
Current rating (amps)	200
Voltage rating (VAC)	120/240, 1Ø
Utility voltage monitor (fixed)*	
-Pick-up	80%
-Dropout	65%
Return to Utility*	Approx. 13 sec
ETL or UL listed	Standard
Enclosure type	NEMA/UL 3R
Circuit breaker protected	22,000
Lug range	250 MCM - #6

*Function of Evolution controller
Exercise can be set to weekly, bi-weekly, or monthly



REVIEWED
By Michael Kyne at 9:17 am, Jan 14, 2022

APPROVED
Montgomery County
Historic Preservation Commission
[Signature]

20/22/24 kW

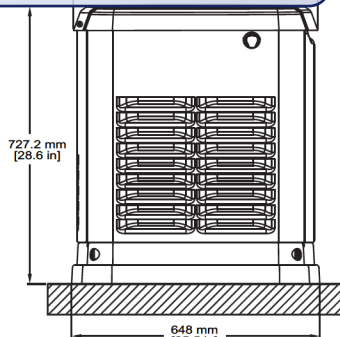
Available Accessories

Model #	Product	Description
G007101-0	Battery Pad Warmer	Pad warmer rests under the battery. Recommended for use if temperature regularly falls below 0 °F (-18 °C). (Not necessary for use with AGM-style batteries).
G007102-0	Oil Warmer	Oil warmer slips directly over the oil filter. Recommended for use if temperature regularly falls below 0 °F (-18 °C).
G007103-1	Breather Warmer	Breather warmer is for use in extreme cold weather applications. For use with Evolution controllers only in climates where heavy icing occurs.
G005621-0	Auxiliary Transfer Switch Contact Kit	The auxiliary transfer switch contact kit allows the transfer switch to lock out a single large electrical load that may not be needed. Not compatible with 50 amp pre-wired switches.
G007027-0 - Bisque	Fascia Base Wrap Kit (Standard on 22/24 kW)	The fascia base wrap snaps together around the bottom of the new air-cooled generators. This offers a sleek, contoured appearance as well as offering protection from rodents and insects by covering the lifting holes located in the base.
G005703-0 - Bisque	Touch-Up Paint Kit	If the generator enclosure is scratched or damaged, it is important to touch up the paint to protect from future corrosion. The touch-up paint kit includes the necessary paint to correctly maintain or touch up a generator enclosure.
G006485-0	Scheduled Maintenance Kit	Generac's scheduled maintenance kit provides all the items necessary to perform complete routine maintenance on a Generac automatic standby generator (oil not included).
G007005-0	Wi-Fi LP Tank Fuel Level Monitor	The Wi-Fi enabled LP tank fuel level monitor provides constant monitoring of the connected LP fuel tank. Monitoring the LP tank's fuel level is an important step in verifying the generator is ready to run during an unexpected power failure. Status alerts are available through a free application to notify users when the LP tank is in need of a refill.
G007000-0 (50 amp) G007006-0 (100 amp)	Smart Management Module	Smart Management Modules (SMM) are used to optimize the performance of a standby generator. It manages large electrical loads upon startup and sheds them to aid in recovery when overloaded. In many cases, using SMM's can reduce the overall size and cost of the system.
G007169-0 - 4G LTE G007170-0 - Wi-Fi/ Ethernet	Mobile Link® Cellular Accessories	The Mobile Link family of Cellular Accessories allow users to monitor generator status from anywhere in the world, using a smart phone, tablet, or PC. Easily access information such as the current operating status and maintenance alerts. Users can connect an account with an authorized service dealer for fast, friendly, and proactive service. With Mobile Link, users are taken care of before the next power outage.
G007220-0 - Bisque	Base Plug Kit	Base plugs snap into the lifting holes on the base of air-cooled home standby generators. This offers a sleek, contoured appearance, as well as offers protection from rodents and insects by covering the lifting holes located in the base. Kit contains four plugs, sufficient for use on a single air-cooled home standby generator.

REVIEWED

By Michael Kyne at 9:17 am, Jan 14, 2022

Model #	Part #
G007038-1	696471074185
G007038-3	696471074185
G007039-1	696471074192
G007039-3	696471074192
G007042-2	696471074208
G007042-3	696471074208
G007043-2	696471074215
G007043-3	696471074215
G007209-0	696471071511
G007210-1	696471084801



LEFT SIDE VIEW

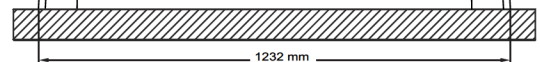
Dimensions & IPCs

APPROVED

Montgomery County

Historic Preservation Commission

Robert A. ...



FRONT VIEW

Dimensions shown are approximate. See installation manual for exact dimensions. DO NOT USE THESE DIMENSIONS FOR INSTALLATION PURPOSES.