



## HISTORIC PRESERVATION COMMISSION

Marc Elrich  
*County Executive*

Robert K. Sutton  
*Chairman*

Date: October 12, 2023

### **MEMORANDUM**

TO: Rabbiah Sabbakhan  
Department of Permitting Services

FROM: Dan Bruechert  
Historic Preservation Section

Maryland-National Capital Park & Planning Commission

SUBJECT: Historic Area Work Permit # 1042924 - Shade Installation

---

The Montgomery County Historic Preservation Commission (HPC) has reviewed the attached applications for two Historic Area Work Permits (HAWP). The application was **Approved** at the October 11, 2023 HPC Meeting.

The HPC staff has reviewed and stamped the attached construction drawings.

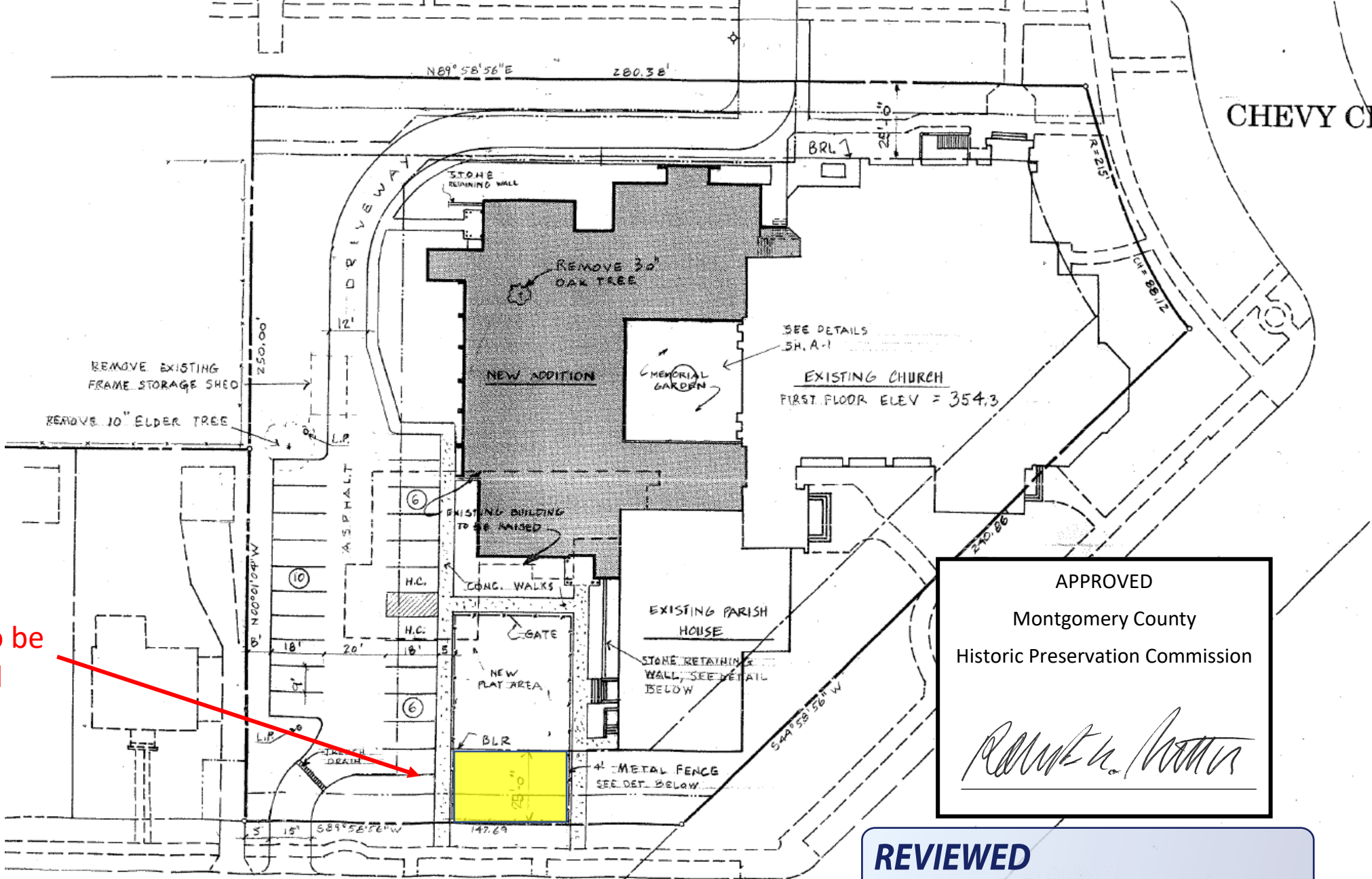
THE BUILDING PERMIT FOR THIS PROJECT SHALL BE ISSUED CONDITIONAL UPON ADHERENCE TO THE ABOVE APPROVED HAWP CONDITIONS AND MAY REQUIRE APPROVAL BY DPS OR ANOTHER LOCAL OFFICE BEFORE WORK CAN BEGIN.

Applicant: All Saints Preschool  
Address: 3 Chevy Chase Circle, Chevy Chase

This HAWP approval is subject to the general condition that the applicant will obtain all other applicable Montgomery County or local government agency permits. After the issuance of these permits, the applicant must contact this Historic Preservation Office if any changes to the approved plan are made. Once work is complete the applicant will contact Rebeccah Ballo at 301.563.3408 or [dan.bruechert@montgomeryplanning.org](mailto:dan.bruechert@montgomeryplanning.org) to schedule a follow-up site visit.



CHEVY CI



Area to be shaded

APPROVED  
 Montgomery County  
 Historic Preservation Commission

*Ronald H. Porter*

**REVIEWED**  
 By Dan.Bruechert at 3:25 pm, Oct 12, 2023

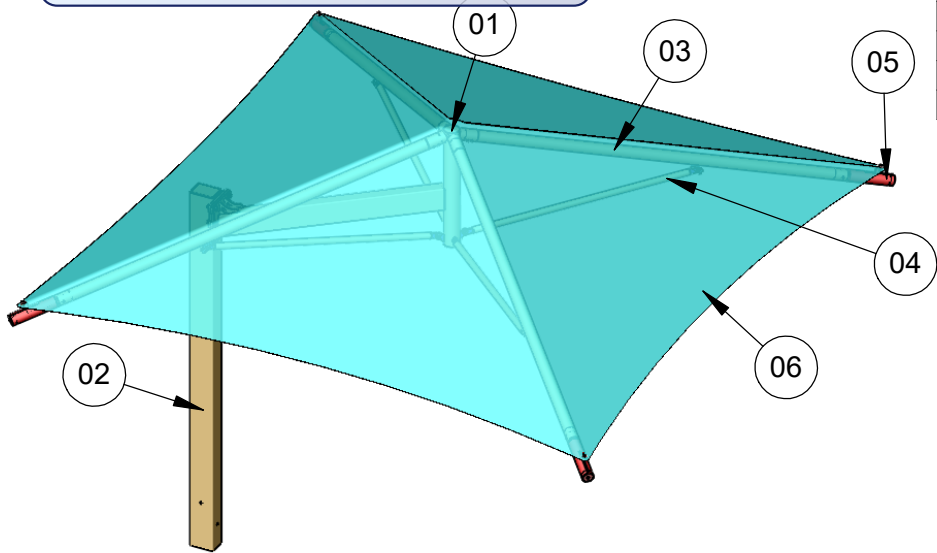
OLIVER STREET

SQUARE FOOT  
 TOTAL SQ. FOOTAGE OF LOT =

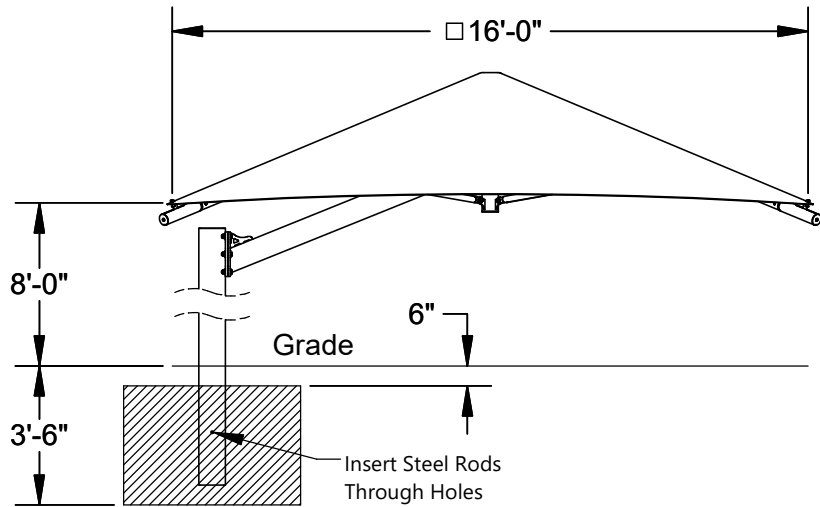
APPROVED  
 Montgomery County  
 Historic Preservation Commission



**REVIEWED**  
 By Dan.Bruechert at 3:24 pm, Oct 12, 2023



| ItemNum. | QTY | ID          | DESCRIPTION   |
|----------|-----|-------------|---|
| 01       | 1   | AFB-43071XX | Crown - Ø5" x 79 1/4", (4) 3 1/2" Sockets with 7" x 5" Flanged Cantilever Arm |
| 02       | 1   | PSA-5962XX  | Wldmt - 6" x 8" x 124 7/16"w/ Flange for Cantilever Umbrella                  |
| 03       | 4   | AFB-35686XX | Wldmt - 3.5" OD 11 Ga. x 126 3/16" Rafter                                     |
| 04       | 4   | AFB-35711XX | Wldmt - 1.9" OD 11 Ga. x 75 7/16" Strut                                       |
| 05       | 4   | MTA25592XX  | Extension - 3 1/2" OD Rafter Glide Mechanism                                  |
| 06       | 1   | FSU1616-G   | Fabric Assembly - 16x16 Square Umbrella, with Glide                           |
| 07       | 8   | HWB0022     | Bolt - 1/2"-13 x 1-3/4" HH Zn   |
| 08       | 8   | HWN0020     | Nut - 1/2"-Nylock Zn  |
| 09       | 16  | HWWR0018    | Washer 1/2" ID x 1 3/8" OD x .100" thick Flat Zinc Steel                      |
| 10       | 9   | HWS0021     | Screw - 1/4" x 1" Self Tapping Torx w/Patch                                   |
| 11       | 16  | HWS0081     | 3/8" x 1-1/4" Self Tapping Torx w/patch                                       |
| 12       | 4   | HWM0024     | Cable Clamp 3/16" Forged Steel, Galv.   |
| 13       | 1   | HWM0129     | Tool - 2" Long T-30 Torx Security With Barrel Hood                            |
| 14       | 1   | HWM0132     | Driver bit T-45 Security Power Bit  |
| 15       | 6   | HWB0151     | Bolt 3/4"-10 x 2-3/4" HH Grade 5 Zn   |
| 16       | 12  | HWWR0059    | Washer, 3/4" Flat - 2" OD .12" Thk - Zinc                                     |
| 17       | 6   | HWN0071     | Nut - 3/4"-10 Nylock Hex  |
| 18       | 1   | CA-3-888I   | Cable - 3/16" Galv. Steel x 888"  |



| Rev | Date | Init. | Descr. |
|-----|------|-------|--------|
|     |      |       |        |
|     |      |       |        |
|     |      |       |        |
|     |      |       |        |

Date: 04-13-2020  
 Drawn By: Jonathan.Dickey

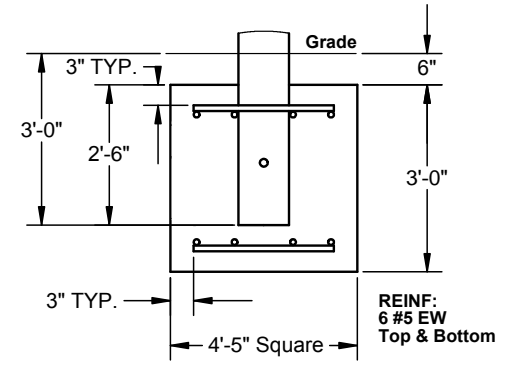
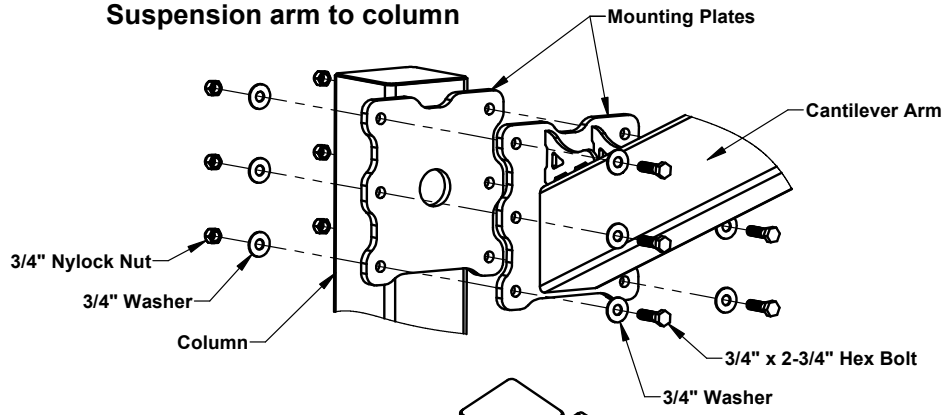
**Superior Recreational Products**

THIS DOCUMENT AND THE INFORMATION CONTAINED HEREIN IS THE EXCLUSIVE PROPERTY OF SUPERIOR RECREATIONAL PRODUCTS AND HAS BEEN PROVIDED TO YOU IN CONFIDENCE. THIS DOCUMENT AND THE INFORMATION HEREIN MAY NOT BE DISCLOSED OR PROVIDED TO ANY THIRD PARTY OR USED, COPIED, PHOTOGRAPHED OR OTHERWISE REPRODUCED WITHOUT PRIOR EXPRESS WRITTEN PERMISSION OF SUPERIOR RECREATIONAL PRODUCTS.

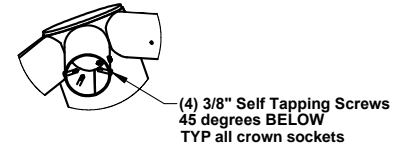
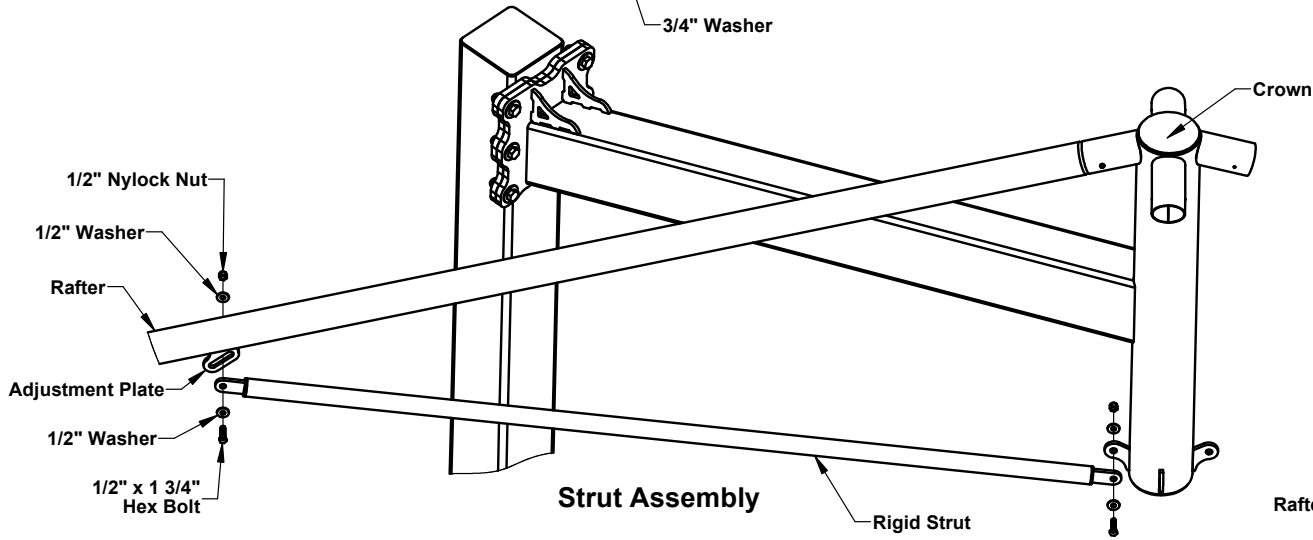
1050 Columbia Drive, Carrollton GA 30117  
 Toll Free: 800-327-8774 Local: 770-832-6660

|  |            |                |  |                               |                  |
|--|------------|----------------|--|-------------------------------|------------------|
| Description:<br>Standard - Cantilever Umbrella Shade - 16' x 16' x 8', Inground, Glide |            |                |  |                               |                  |
| Material:  |            |                | Rev:<br>00                                   | Drawing Number:<br>CU161608IG |                  |
| Weight:  | Size:<br>A | Units:<br>Inch | Tol:<br>±.0625<br>Unless Otherwise Specified | Scale:<br>1:58                | Sheet:<br>1 of 1 |

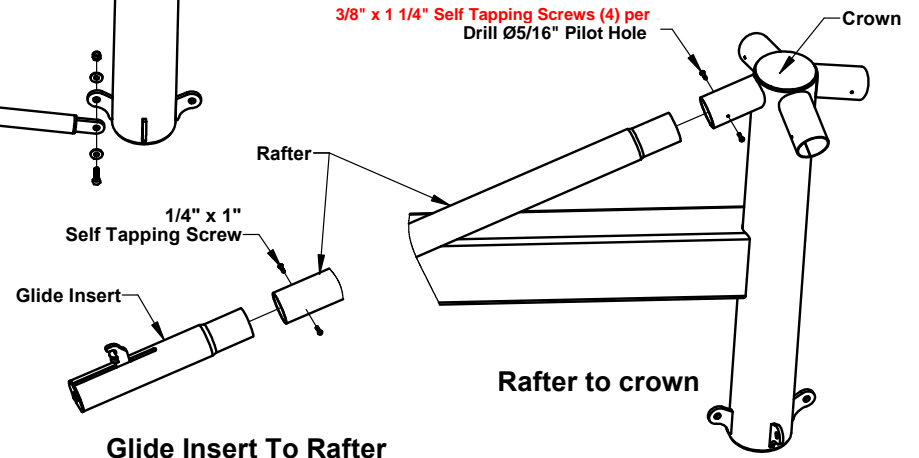
**Suspension arm to column**



**FOOTING DETAIL**



**3/8" x 1 1/4" Self Tapping Screws (4) per Drill Ø5/16" Pilot Hole**



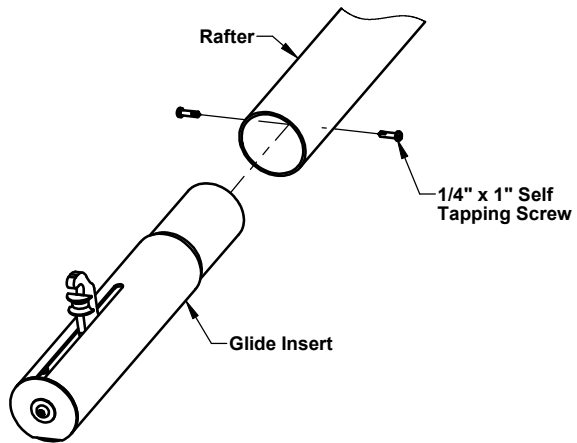
**Glide Insert To Rafter**

APPROVED  
 Montgomery County  
 Historic Preservation Commission

**REVIEWED**  
 By Dan.Bruechert at 3:24 pm, Oct 12, 2023

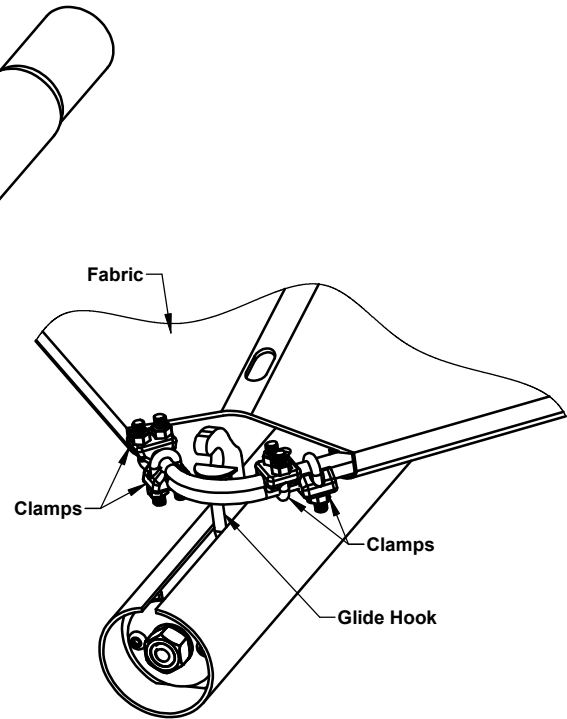
**Superior Shade**

Description: **Frame Details** Sheet: **2 of 3**



1/4" x 1" Self Tapping Screw

Glide Insert



Fabric

Clamps

Clamps

Glide Hook

Cover plate  
\*Drain Port At Bottom

3/8" Washer

3/8" Allen Bolt

APPROVED  
Montgomery County  
Historic Preservation Commission  
*[Signature]*

**NOTE: On three Of The Four Corners The Cable Will Loop Over Glide Hook Followed By Fabric.**

**On The Fourth Corner The Cable Ends Will Overlap Under Hook And Secured With TWO Cable Clamps On Both Sides Of Hook. Loose Ends Are Then Tucked Back Into Fabric Hems.**

**REVIEWED**

By Dan.Bruechert at 3:24 pm, Oct 12, 2023

**SUPERIOR SHADE**

DESCRIPTION: **GLIDE DETAILS**

SHEET: **3 OF 3**