



HISTORIC PRESERVATION COMMISSION

Marc Elrich
County Executive

Sandra I. Heiler
Chairman

Date: October 28, 2019

MEMORANDUM

TO: Hadi Mansouri
Department of Permitting Services

FROM: Dan Bruechert
Historic Preservation Section
Maryland-National Capital Park & Planning Commission

SUBJECT: Historic Area Work Permit #868218 - Window Replacement, Soffit Repair

The Montgomery County Historic Preservation Commission (HPC) has reviewed the attached application for a Historic Area Work Permit (HAWP). This application was **Approved** at the October 23, 2019 HPC meeting.

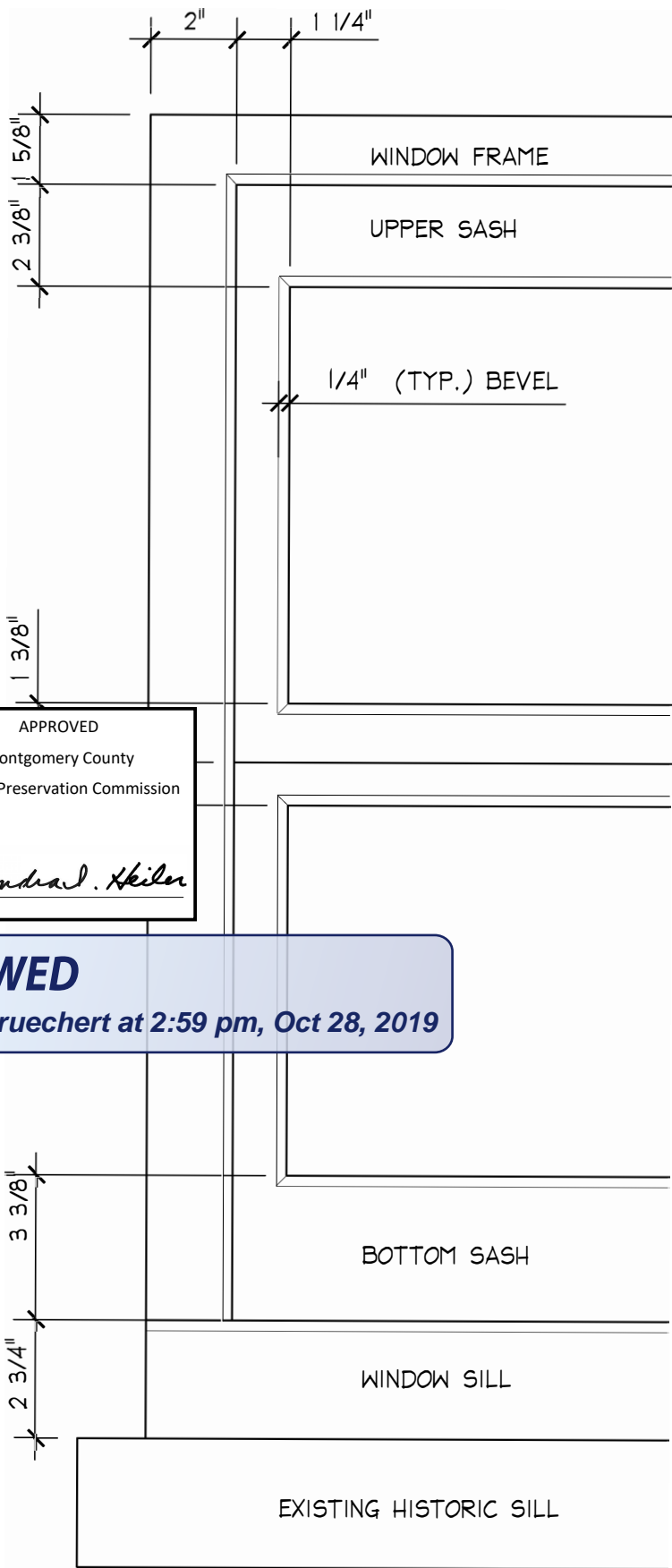
The HPC staff has reviewed and stamped the attached construction drawings.

THE BUILDING PERMIT FOR THIS PROJECT SHALL BE ISSUED CONDITIONAL UPON ADHERENCE TO THE ABOVE APPROVED HAWP CONDITIONS AND MAY REQUIRE APPROVAL BY DPS OR ANOTHER LOCAL OFFICE BEFORE WORK CAN BEGIN.

Applicant: Anthony Camilli
Address: 402 Tulip Ave., Takoma Park

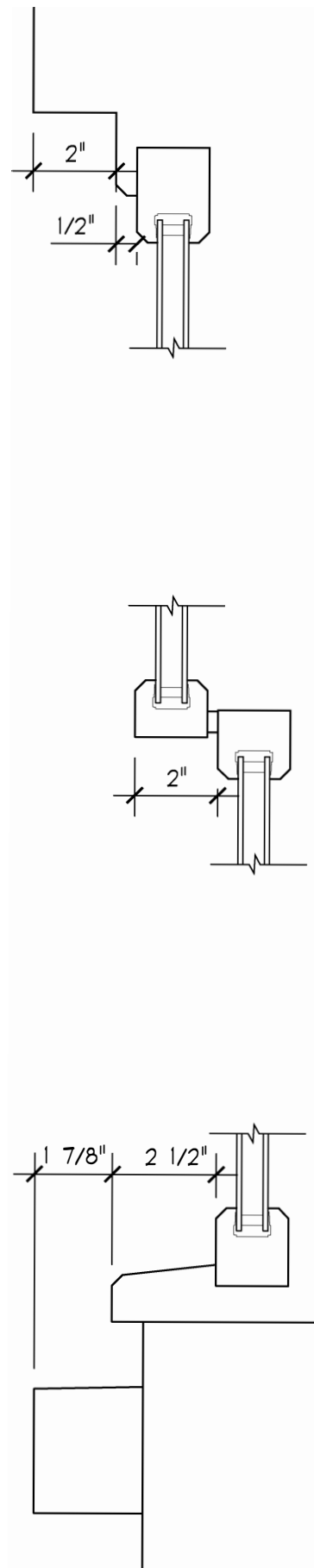
This HAWP approval is subject to the general condition that the applicant will obtain all other applicable Montgomery County or local government agency permits. After the issuance of these permits, the applicant must contact this Historic Preservation Office if any changes to the approved plan are made. Once work is complete the applicant will contact Dan Bruechert at 301.563.3400 or dan.bruechert@montgomeryplanning.org to schedule a follow-up site visit.





APPROVED
 Montgomery County
 Historic Preservation Commission
Sandra L. Heiler

REVIEWED
 By Dan.Bruechert at 2:59 pm, Oct 28, 2019



INSTALLED WINDOWS



APPROVED
Montgomery County
Historic Preservation Commission

Sandra L. Heiler

REVIEWED

By Dan.Bruechert at 2:59 pm, Oct 28, 2019

Close-up view of trim piece covering jamb liner



View of non-historic aluminum eave soffit



APPROVED
Montgomery County
Historic Preservation Commission
Sandra L. Heiler

REVIEWED
By Dan.Bruechert at 2:59 pm, Oct 28, 2019

view of non-historic aluminum eave and rake soffits



View of non-historic aluminum rake soffit



APPROVED

Montgomery County
Historic Preservation Commission

Sandra L. Heiler

REVIEWED

By Dan.Bruechert at 2:59 pm, Oct 28, 2019

View of non-historic aluminum soffit and new wood soffit for addition