



HISTORIC PRESERVATION COMMISSION

Marc Elrich
County Executive

Sandra I. Heiler
Chairman

Date: May 1, 2019

MEMORANDUM

TO: Diane Schwartz Jones
Department of Permitting Services

FROM: Dan Bruechert
Historic Preservation Section
Maryland-National Capital Park & Planning Commission

SUBJECT: Historic Area Work Permit: # 845738 - Site Wall Construction & Addition Windows

The Montgomery County Historic Preservation Commission (HPC) has reviewed the attached application for a Historic Area Work Permit (HAWP). This application was **Approved** at the April 24, 2019 Historic Preservation Commission meeting.

The HPC staff has reviewed and stamped the attached construction drawings. Note, the approved windows are only in the previously approved addition and do not extend to the historic house.

THE BUILDING PERMIT FOR THIS PROJECT SHALL BE ISSUED CONDITIONAL UPON ADHERENCE TO THE ABOVE APPROVED HAWP CONDITIONS AND MAY REQUIRE APPROVAL BY DPS OR ANOTHER LOCAL OFFICE BEFORE WORK CAN BEGIN.

Applicant: Tony Camilli
Address: 402 Tulip Ave., Takoma Park

This HAWP approval is subject to the general condition that the applicant will obtain all other applicable Montgomery County or local government agency permits. After the issuance of these permits, the applicant must contact this Historic Preservation Office if any changes to the approved plan are made. Once work is complete the applicant will contact Dan Bruechert at 301.563.3400 or dan.bruechert@montgomeryplanning.org to schedule a follow-up site visit.



Weather Shield®

Double Hung Windows

Signature Series™

REVIEWED

By Dan.Bruechert at 10:08 am, May 01, 2019

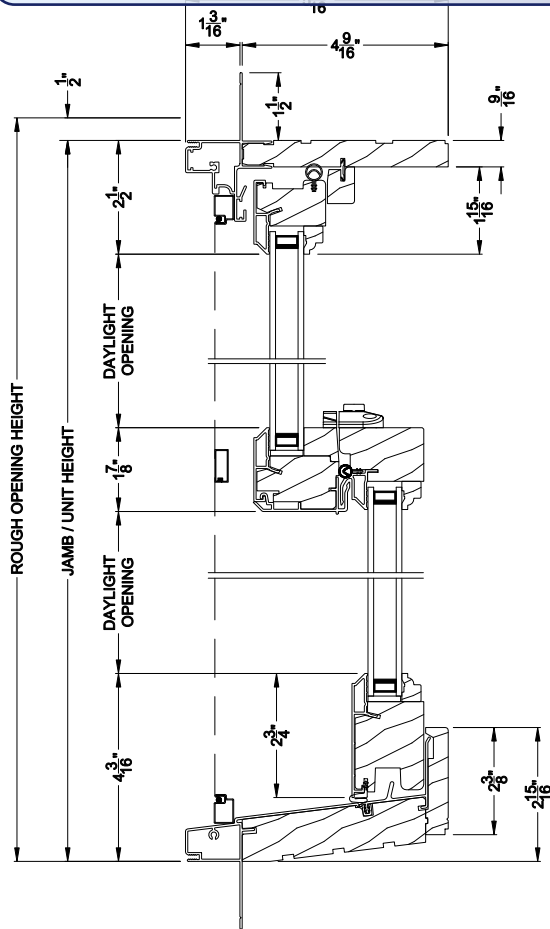
CROSS SECTION DETAILS

APPROVED

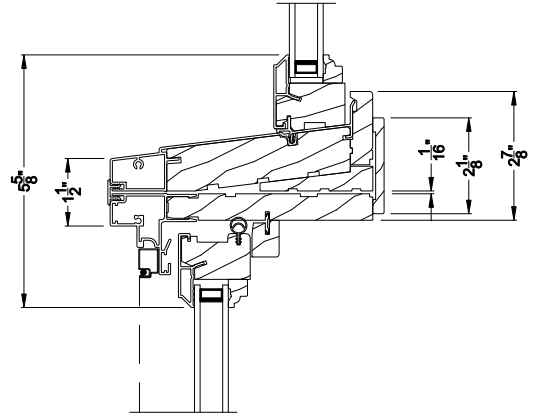
Montgomery County

Historic Preservation Commission

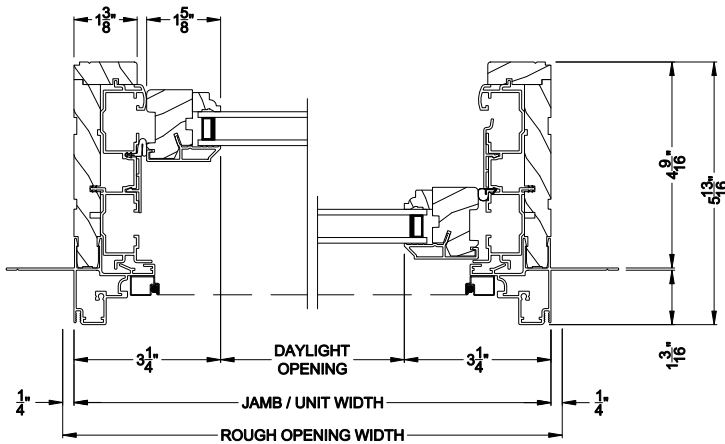
Sandra L. Heiler



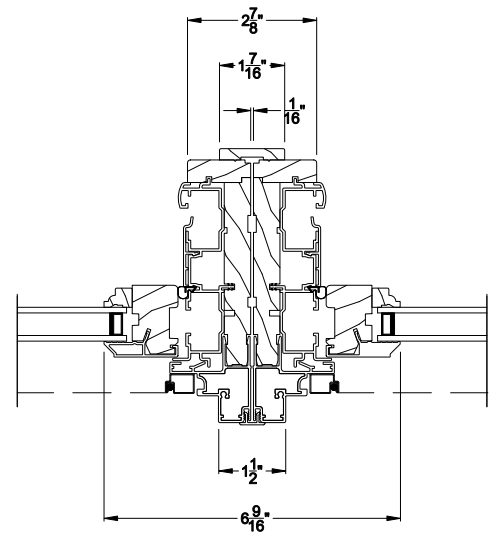
SIGNATURE DOUBLE HUNG WINDOW (8122)
Vertical Section



SIGNATURE DOUBLE HUNG WINDOW
Horizontal Stack Section - Transom Stack over DH



SIGNATURE DOUBLE HUNG WINDOW (8122)
Horizontal Section



SIGNATURE DOUBLE HUNG WINDOW
Vertical Mull Section - DH / DH

Note: All dimensions are approximate. Weather Shield reserves the right to change specifications without notice.

Weather Shield Signature Series

REVIEWED

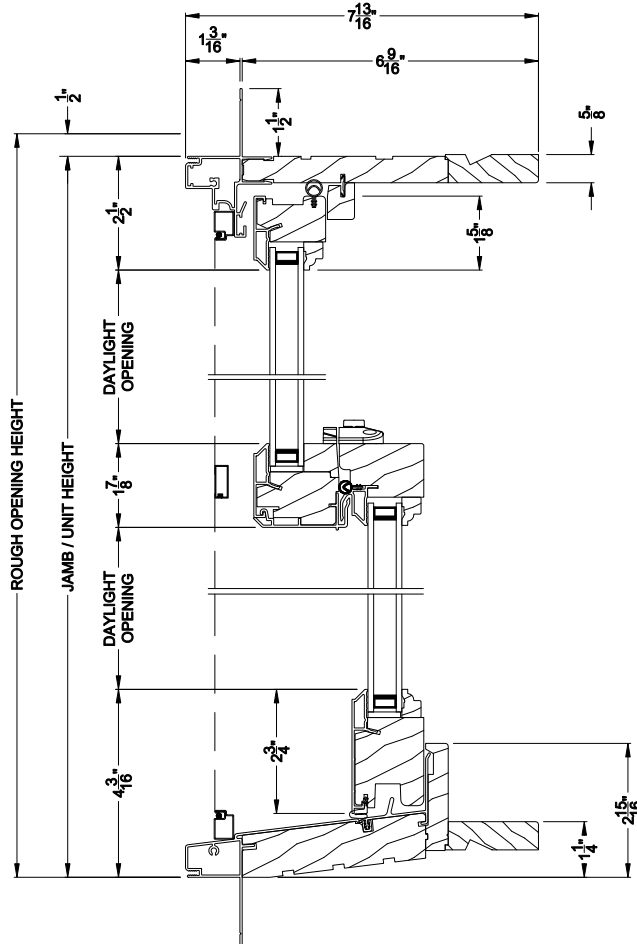
By Dan.Bruechert at 10:08 am, May 01, 2019

Double Hung Windows DETAILS

APPROVED

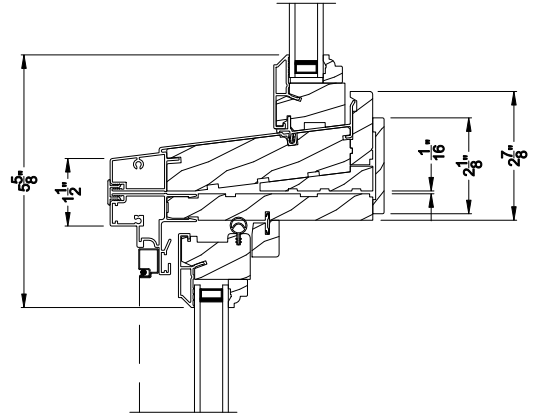
Montgomery County
Historic Preservation Commission

Sandra L. Heiler



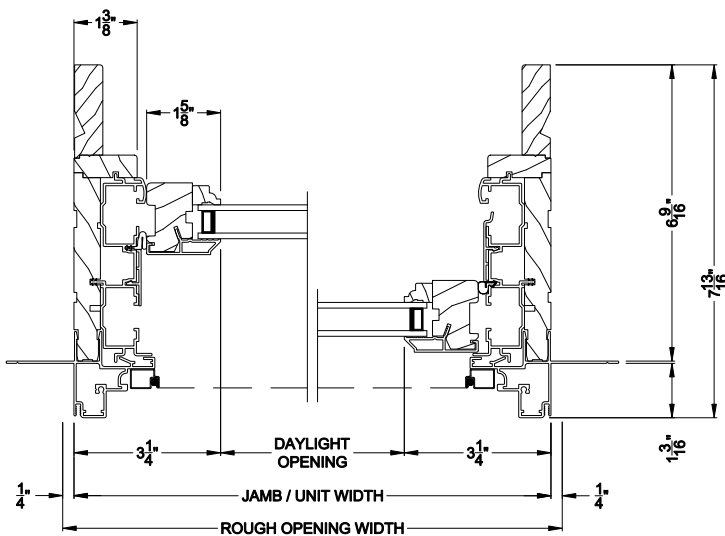
SIGNATURE DOUBLE HUNG WINDOW (8122)

Vertical Section - 6-9/16" jamb



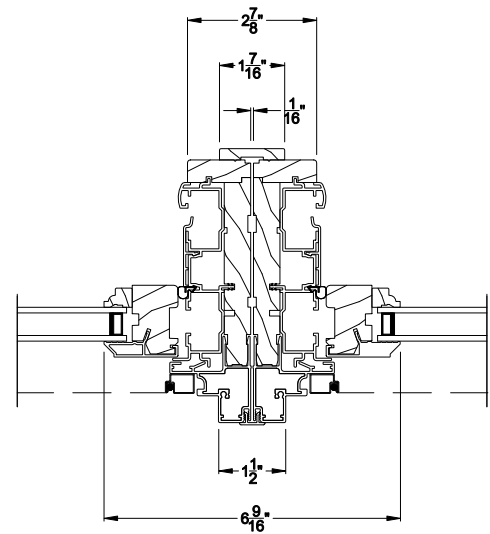
SIGNATURE DOUBLE HUNG WINDOW

Horizontal Stack Section - Transom Stack over DH



SIGNATURE DOUBLE HUNG WINDOW (8122)

Horizontal Section - 6-9/16" jamb



SIGNATURE DOUBLE HUNG WINDOW

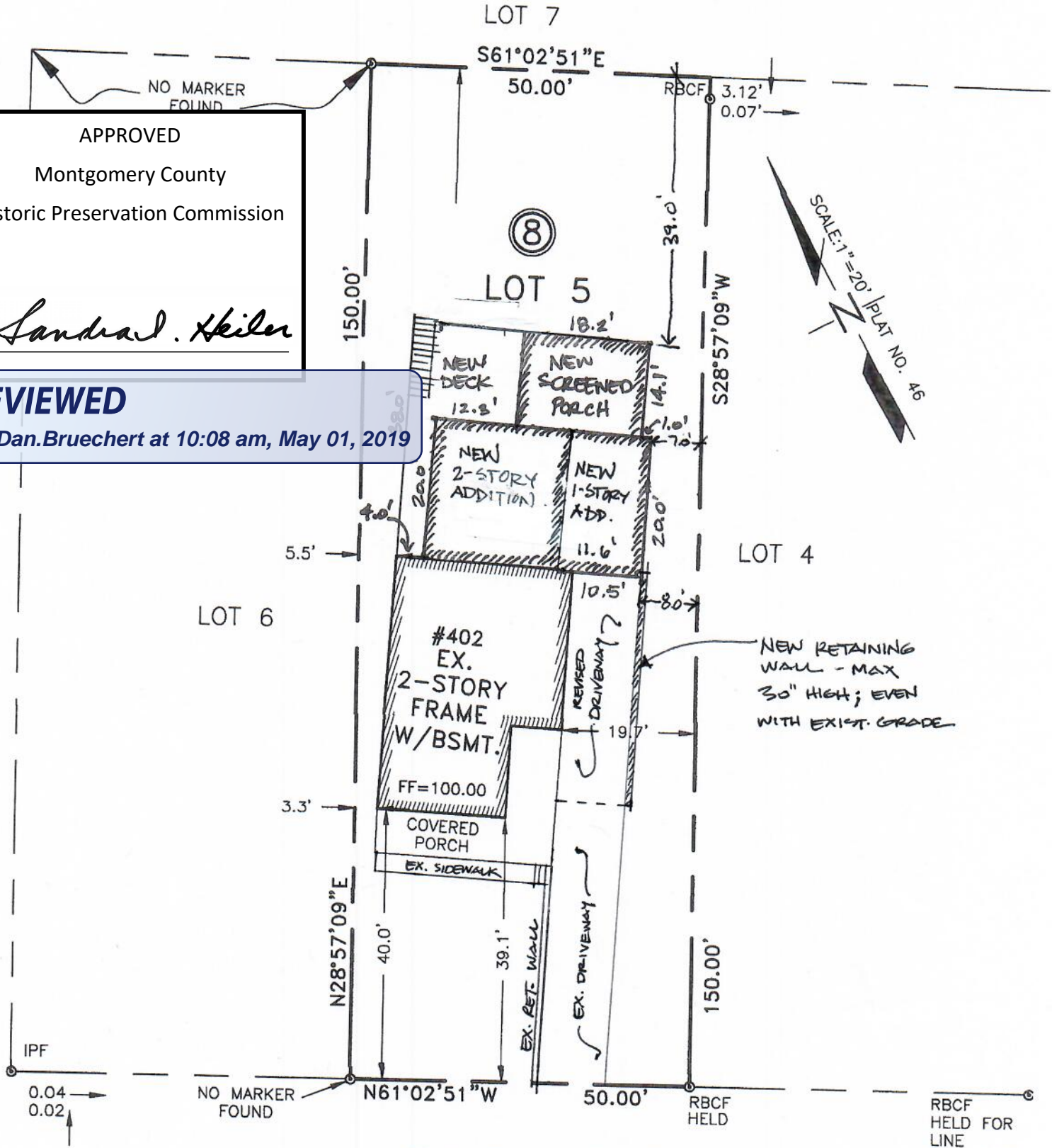
Vertical Mull Section - DH / DH

Note: All dimensions are approximate. Weather Shield reserves the right to change specifications without notice.

APPROVED
 Montgomery County
 Historic Preservation Commission

Sandra L. Heiler

REVIEWED
 By Dan.Bruechert at 10:08 am, May 01, 2019



TULIP AVENUE
 45' R/W

LEGEND:
 ⊙ RBCF = REBAR W/CAP FOUND
 ⊙ IPF = IRON PIPE FOUND

REVIEWED
By Dan.Bruechert at 10:08 am, May 01, 2019

APPROVED
Montgomery County
Historic Preservation Commission
Sandra L. Heiler

